



### **AC Changeover Switch Rotary Isolator Switch**

ADELS® is a specialized in high quality AC Changeover Switch Rotary Isolator Switch manufacturer and supplier in China. AC Changeover Switch Rotary Isolator Switch was designed and manufactured, according to GB/14048.3 and IEC60947-3, FM30 series load isolation switch is used for AC 50Hz, It can work for 8 hours, intermittent cycle duty, 1 hour working frequency of 30 times. Its electrical life is up to 10,000, AC-23,6000, AC-3, and 2000 auxiliary contacts. Book a consultation today and see how our switches match your market needs.

ADELS® is a professional China AC Changeover Switch Rotary Isolator Switch manufacturers and suppliers, if you are looking for the best AC Changeover Switch Rotary Isolator Switch with low price, consult us now!

### **AC Changeover Switch Rotary Isolator Switch**

- Current type: AC 50Hz
- Number of main contact: ON or OFF
- Frequency: 8 hour work/intermittent periodic duty,/h operating frequency is 30 times.
- Electrical life: 10,000 times/AC-23, 6,000 times/AC-3, auxiliary contacts for 2000 times.



FM30-25(32)/H1



FM30-40(63)/H2

#### **Wenzhou Feimai Electric Co., Ltd.**

**Address:**No.75 Xinguang Avenue, Xinguang Industrial Zone, Liushi, Yueqing City, Zhejiang Province, P.R.China.

**Phone:**+86-13968753197

**Fax:**+86-577-62797770

**Tel:**+86-577-62797750

**E-mail:**sale@adels-solar.com

## AC Changeover Switch Rotary Isolator Switch Technical parameters

Type		FM30-25	FM30-32	FM30-40	FM30-63
Rated thermal current (Ith)	A	25	32	40	63
Rated working voltage(Ue)	V	240 440	240 440	240 440	240 440
Rating value(Ie/kW)					
AC-21A	A/KW	20/-20/-	32/-32/-	40/-40/-	63/-63/-
AC-22A	a/kw	20/-20/-	32/-32/-	40/-40/-	63/-63/-
AC-23A	a/kw	15/4	22/5.5	30/7.5	43/11
		15/7.5	22/11	30/7.5	43/22
AC-3	A/KW	11.7/3	15/4	22/7.5	36/11
		11.7/5.5	15/7.5	22/11	36/18.5

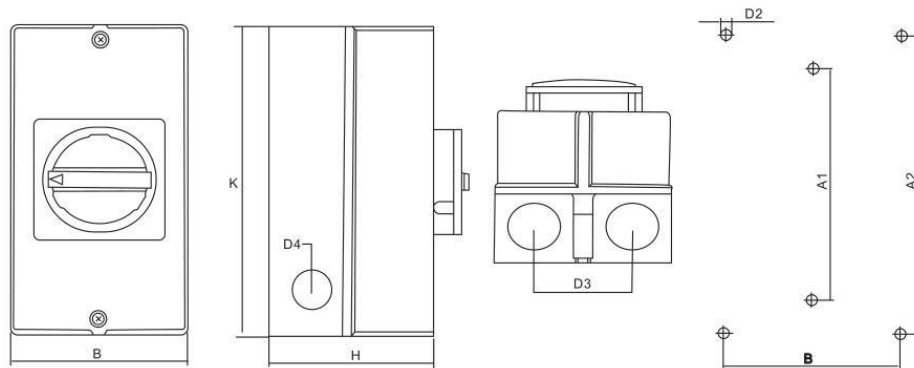
Current type: AC 50Hz

Number of main contact: ON or OFF

Frequency: 8 hour work/intermittent periodic duty,/h operating frequency is 30 times.

Electrical life: 10,000 times/AC-23, 6,000 times/AC-3, auxiliary contacts for 2000 times.

## AC Changeover Switch Rotary Isolator Switch Outline and mounting size



Type	Outline size					Mounting size			
	D3	D4	H	B	K	A1	A2	B	D2
FM30-25(32)	Φ23	Φ19	82	85	160	150			Φ4.2
FM30-40(63)	Φ29	Φ23	93	100	190	178			Φ4.2

## AC Isolator Selection - AC Changeover Switch Rotary Isolator Switch

**Wenzhou Feimai Electric Co., Ltd.**

**Address:**No.75 Xinguang Avenue, Xinguang Industrial Zone, Liushi, Yueqing City, Zhejiang Province, P.R.China.

**Phone:**+86-13968753197

**Fax:**+86-577-62797770

**Tel:**+86-577-62797750

**E-mail:**sale@adels-solar.com

- ◆AC Isolators are used in both stand-alone grid or network distributed systems. If connected to the distributed network then G83/1 stipulates the PV system must be connected directly to an isolation switch that is wired so as to isolate both the live and neutral conductors, capable of being secured in the “OFF” position and in an accessible location within the installation.
- ◆Unlike a DC isolator that is required to switch both the positive and negative conductors, an AC isolator should be chosen with regards to the supply being single phase, which is typically found in domestic installations or three phase, which is typical for commercial or industrial installations. Ideally for single phase a 2pole isolator should be used to switch the live and neutral line (earth constantly connected) whilst a 4pole isolator would be used to switch the 3 voltage lines and neutral (earth constantly connected).
- ◆The isolator rating should be based on the inverter output which is normally specified per phase, that is line to neutral, and for example maybe shown as 20A at 230VAC; if this output is from a three phase unit then the AC isolator must be rated to for the line-to-line voltage which would typically be 415VAC.
- ◆With both AC and DC isolators the ambient temperature of the environment in which the switch is mounted must be considered as most industrial switches are nominally rated for use in 35°C. However, if the isolator is to be used in an area where solar activity is prevalent, thereby making more efficient use of the installation and greater yield, or in an enclosed space such as a loft or that of an inverter enclosure, then an isolator capable of handling the elevated temperatures should be selected.

**Wenzhou Feimai Electric Co., Ltd.**

**Address:**No.75 Xinguang Avenue, Xinguang Industrial Zone, Liushi, Yueqing City, Zhejiang Province, P.R.China.

**Phone:**+86-13968753197

**Fax:**+86-577-62797770

**Tel:**+86-577-62797750

**E-mail:**sale@adels-solar.com